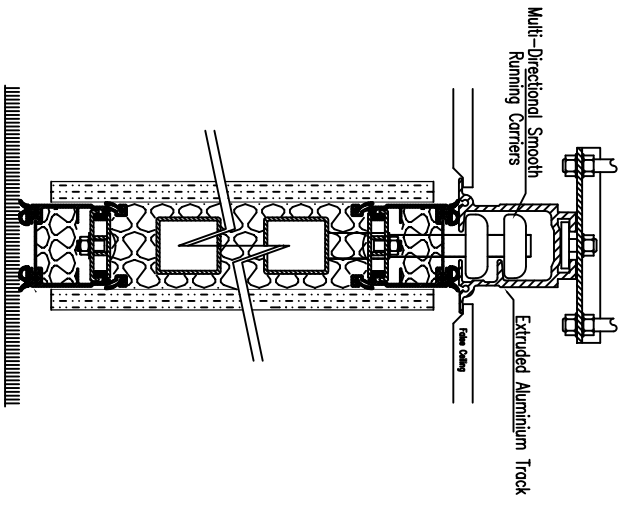


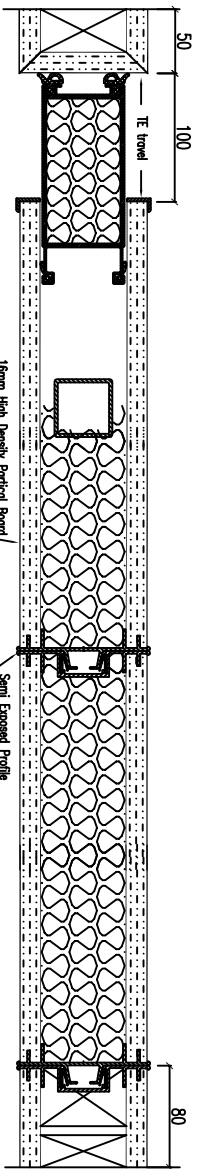
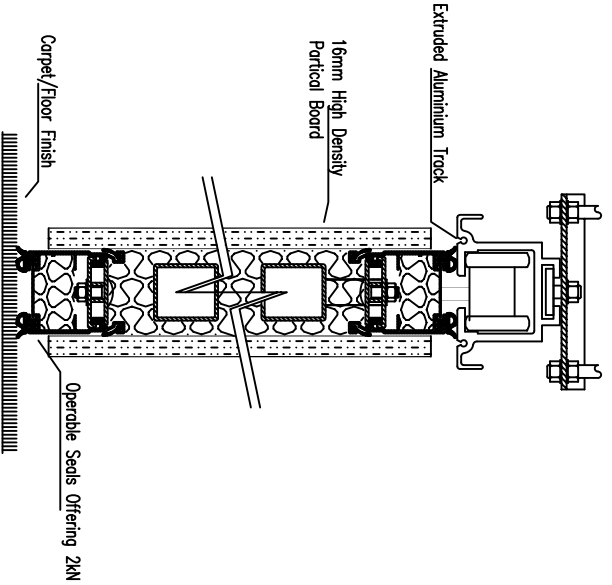
1. Ceiling Track
2. Trolley
3. Frame
4. Edge Profile
5. Sealing Spring
6. Scissor Action Mechanism
7. Top&Bottom Retractable Seals
8. Removable Winding Handle

A STANDARD PANEL - TYPE 500/600

SIDE SECTION THROUGH A DOUBLE POINT SUSPENSION STANDARD PANEL



SIDE SECTION THROUGH A SINGLE POINT SUSPENSION STANDARD PANEL



PLAN SECTION THROUGH A STANDARD PANEL, A TELESCOPIC PANEL AND THE WALL JAMBS

**brockhouse**  
 Brockhouse Modernfold Ltd  
 Key One, 23 The Tylings, Worcester, WR1 1HD  
 Tel: 01905 330055 Fax: 01905 330234  
 Email: sales@brockhouse.net

SYSTEM:	500/600 SERIES	REV & DATE	AUG 08
TITLE :	SYSTEM DETAILS	DRAWN BY	SJB
ALL DIMENSIONS IN MILLIMETRES - DO NOT SCALE ©		DRAWING REF:	QTE 500 / 01